

**1 Products affected.**

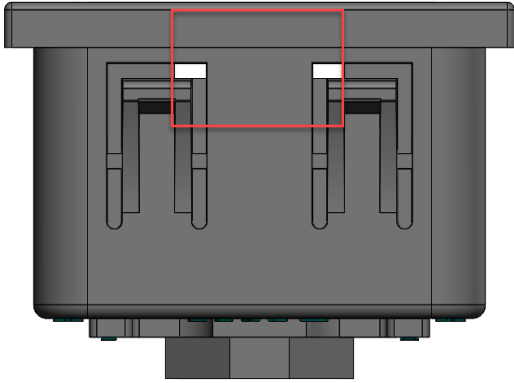
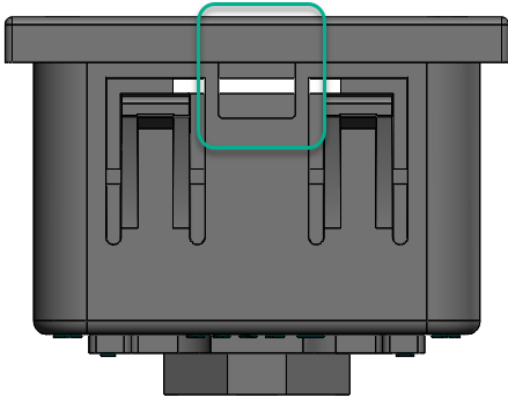
Product hierarchy no. *				Part no.	SBU	Product Type	Customer part no.
SBU	PG	PUG	Type				
02	007	003	0000002293	See list	Connectors	4793	-

\*SBU (2-digit) / PG (3-digit) / PUG (3-digit) / Type (10-digit)

**2 Type of change**

- Change of product design

**3 Detailed description of change**

Current product appearance	New product appearance
Without V-Lock 	With V-Lock 
Old Configuration: - 4793-XXXX-0000	New Configuration: - 4793-XXXX-0100

- Change in socket from Without V-Lock to with V-Lock.

**4 Reason of change**

- Introducing locking capability on all variants

**5 Release date**

The change takes effect in ww 36/2023(Date code 2336 or higher on label).

Parts on stock will be used upon depletion.

**6 Impact of change and recommended action**

<input checked="" type="checkbox"/>	Form	Socket includes V-Lock Notch
<input type="checkbox"/>	Fit	
<input checked="" type="checkbox"/>	Function	Introduce locking functionality V-Lock as a standard
<input type="checkbox"/>	Manufacturing	
<input checked="" type="checkbox"/>	Label	Check new Configuration Code
<input type="checkbox"/>	Packaging	

Product Change Notification						4793-Consolidate to V-Lock as standard	
owner	creation date	release date	released by	change order	rev	page	D10-074-471
mansurva	09.06.2023	08.08.2023	muehlema	2026121	A	1 of 2	

## 7 Reference Documents

Kind of document	Document Title
Data Sheet	<a href="#">Datasheet_4793</a>

## 8 Appendix

List of part numbers affected for type <4793>				
4793.3000	4793.3010	4793.3200	4793.3210	4793.4000
4793.4010	4793.4200	4793.4210	4793.5000	4793.5010
4793.5200	4793.5210	4793.6000	4793.6010	4793.6200
4793.6210	4793.7000	4793.7010	4793.7200	4793.7210
4793.8000	4793.8010	4793.8200	4793.8210	

Product Change Notification					4793-Consolidate to V-Lock as standard		
owner	creation date	release date	released by	change order	rev	page	D10-074-471
mansurva	09.06.2023	08.08.2023	muehlema	2026121	A	2 of 2	